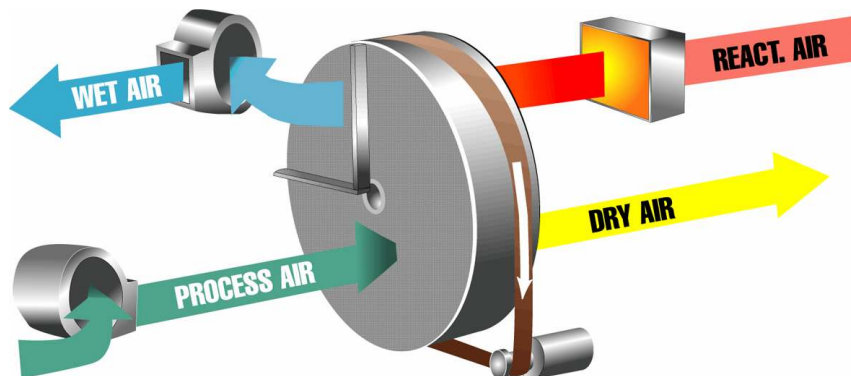


# DehuTech 450 Dehumidifier

Desiccant dehumidifier for drying of air at all conditions but especially suitable for low temperature and low humidity operation. Complete self-contained unit including desiccant rotor, fan, filters, thermistor-type reactivation heater and controls. Stainless steel casing.

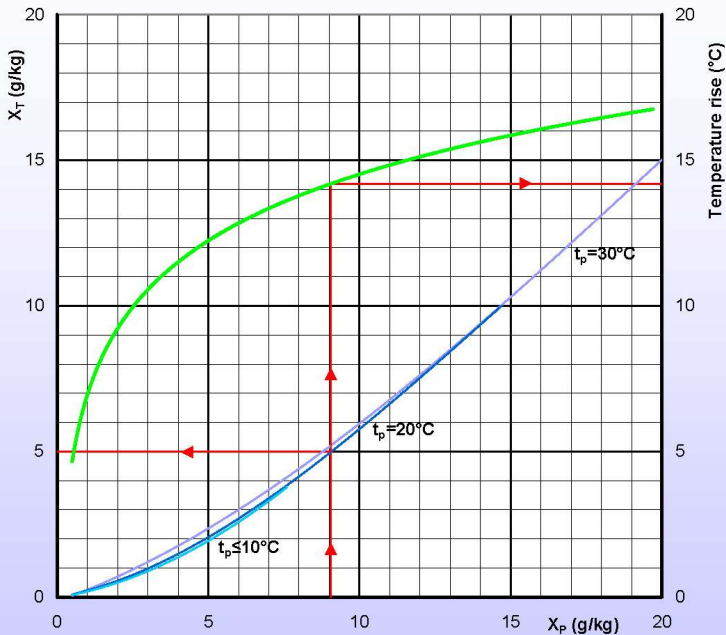
The unit is ready for connection to standard size duct works, electrical power supply and external humidity sensor.



For further information call: Calorex Heat Pumps, The Causeway, Maldon, CM9 5PU  
Telephone: +44 (0) 1621 856611 Fax: +44 (0) 1621 850871  
Email: [sales@calorex.com](mailto:sales@calorex.com) Web: [www.calorex.com](http://www.calorex.com)

# Calorex DehuTech 450

**CAPACITY DIAGRAM**



**EXAMPLE:**

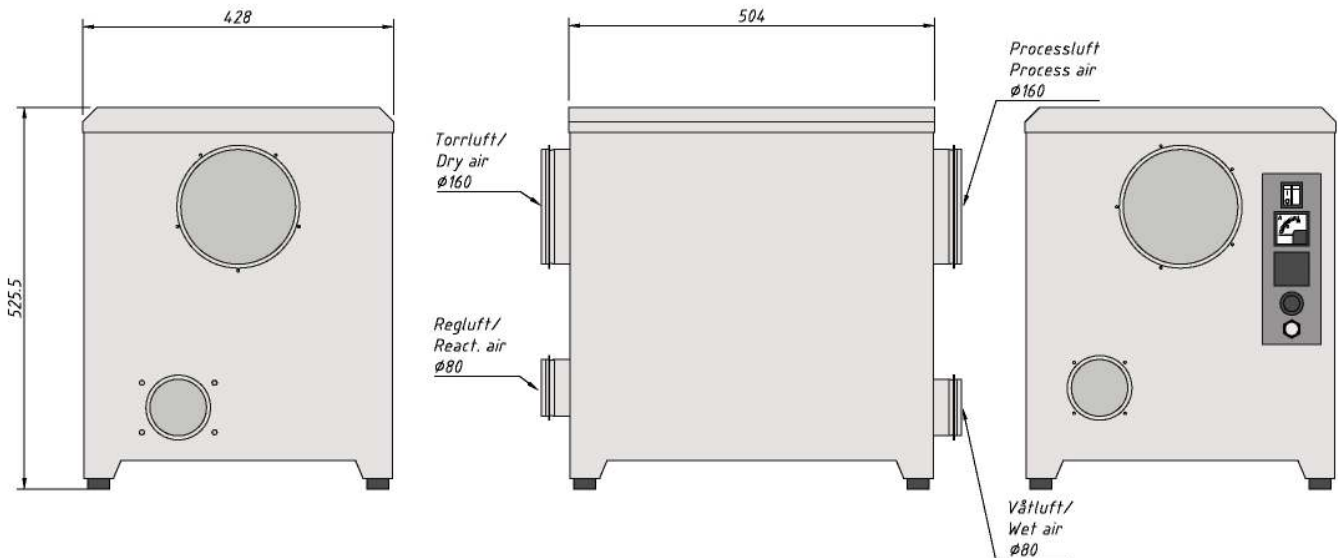
Process air:  $x_p = 9,0$  g/kg,  $t_p = +20^\circ\text{C}$  giving

Dry air:  $x_r = 5$  g/kg,  $t_r = 20 + 14,2 = 34,2^\circ\text{C}$

**TECHNICAL DATA**

Dehumidification capacity (at $+20^\circ\text{C}$ and 60%RH see capacity diagram for other data)	2.2 kg/h
Dry air flow (free blowing)	450 m <sup>3</sup> /h
Wet air flow (free blowing)	120 m <sup>3</sup> /h
Electrical power supply (1 × 230V, 50Hz)	3.5 kW
Current (Fuse size 16 A)	15.2 A
Weight	24 kg
Maximum noise level	63 dB(A)

**DIMENSIONS**



Calorex Heat Pumps Limited

The Causeway, Maldon, Essex, CM9 5PU

Tel: +44 (0)1621 856611

Fax: +44 (0)1621 850871

Email: [sales@calorex.com](mailto:sales@calorex.com)

Web: [www.calorex.com](http://www.calorex.com)