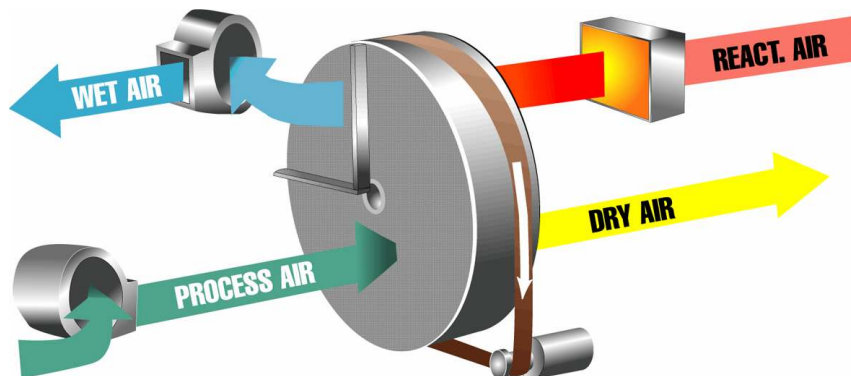


DehuTech 400 Dehumidifier

Desiccant dehumidifier for drying of air at all conditions but especially suitable for low temperature and low humidity operation. Complete self-contained unit including desiccant rotor, fan, filters, thermistor-type reactivation heater and controls. Stainless steel casing.

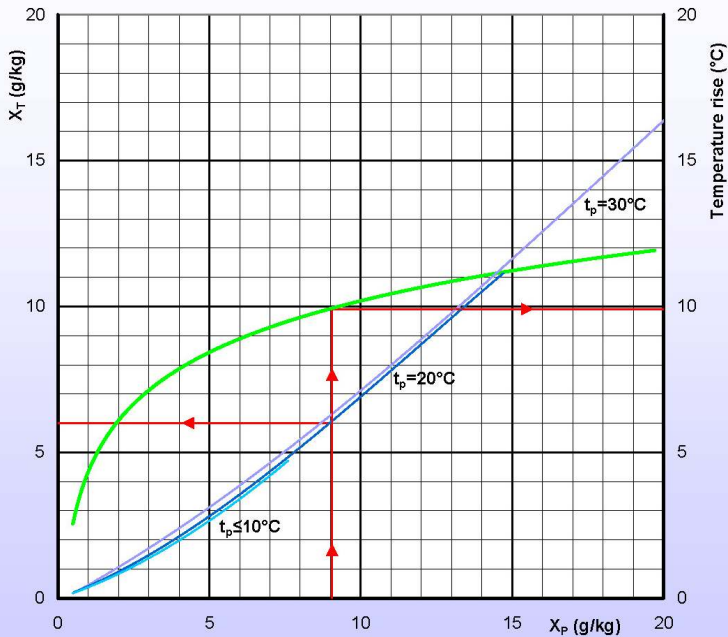
The unit is ready for connection to standard size duct works, electrical power supply and external humidity sensor.



For further information call: Calorex Heat Pumps, The Causeway, Maldon, CM9 5PU
Telephone: +44 (0) 1621 856611 Fax: +44 (0) 1621 850871
Email: sales@calorex.com Web: www.calorex.com

Calorex DehuTech 400

CAPACITY DIAGRAM



EXAMPLE:

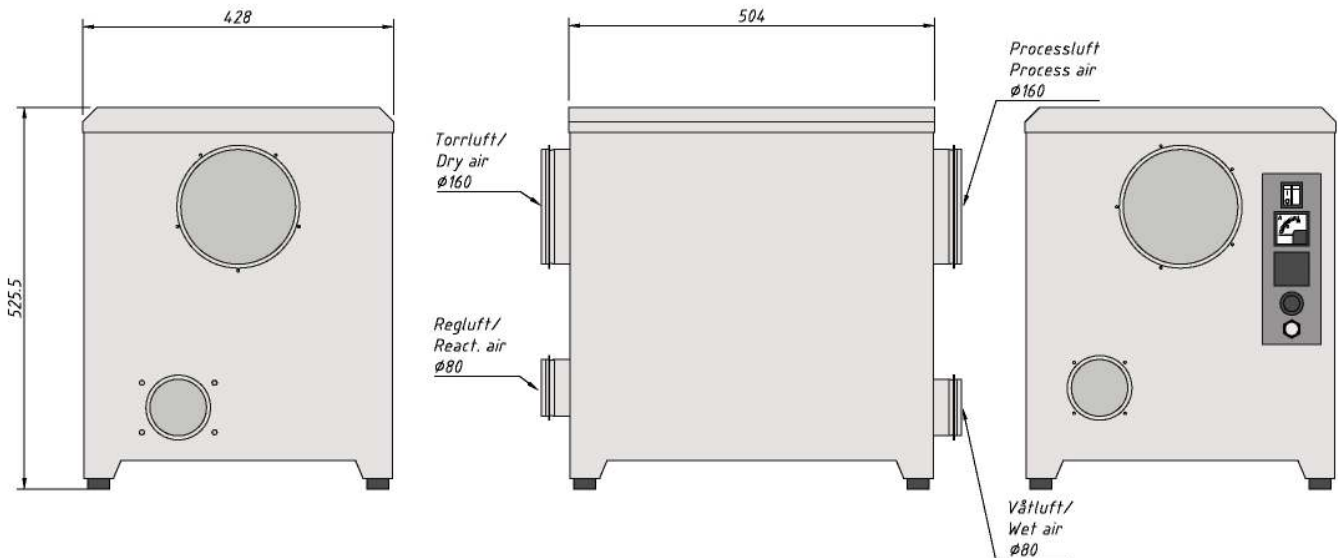
Process air: $x_p = 9,0$ g/kg, $t_p = +20^\circ\text{C}$ giving

Dry air: $x_T = 6$ g/kg, $t_T = 20+9,9 = 29,9^\circ\text{C}$

TECHNICAL DATA

Dehumidification capacity (at $+20^\circ\text{C}$ and 60%RH see capacity diagram for other data)	1.6 kg/h
Dry air flow (at 30 Pa available external pressure)	400 m ³ /h
Wet air flow (free blowing)	120 m ³ /h
Electrical power supply (1 × 230V, 50Hz)	2.3 kW
Current (Fuse size 10 A)	10 A
Weight	23 kg
Maximum noise level	62.2 dB(A)

DIMENSIONS



Calorex Heat Pumps Limited

The Causeway, Maldon, Essex, CM9 5PU

Tel: +44 (0)1621 856611

Fax: +44 (0)1621 850871

Email: sales@calorex.com

Web: www.calorex.com